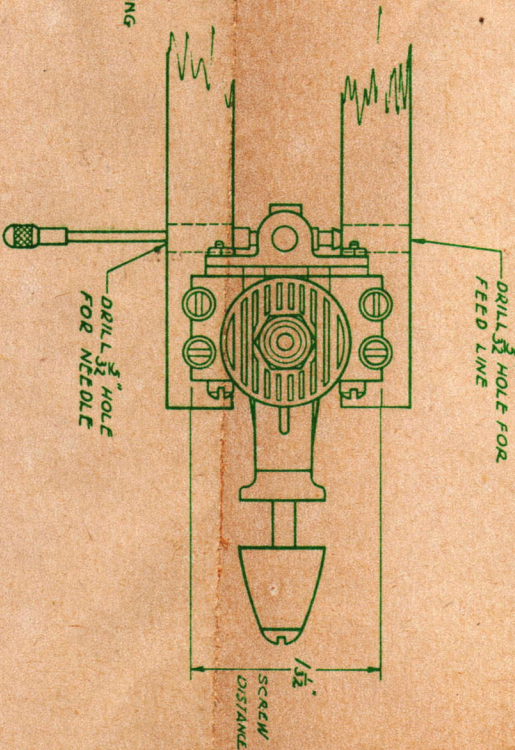
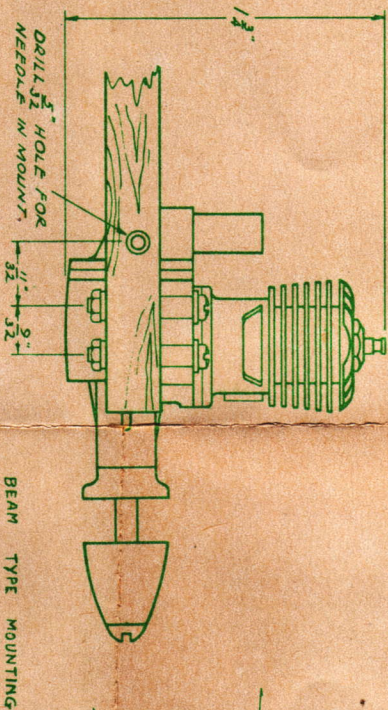
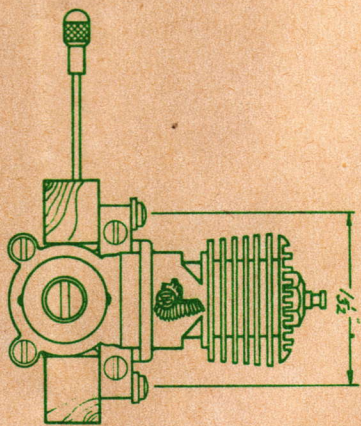
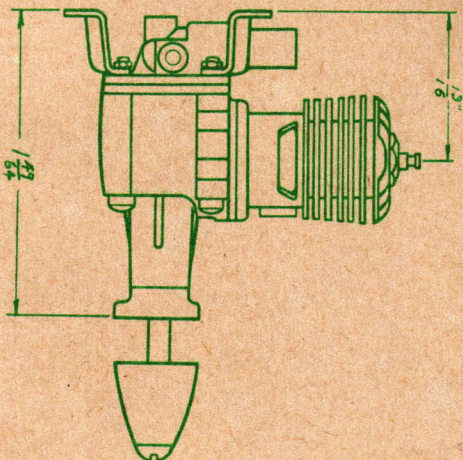
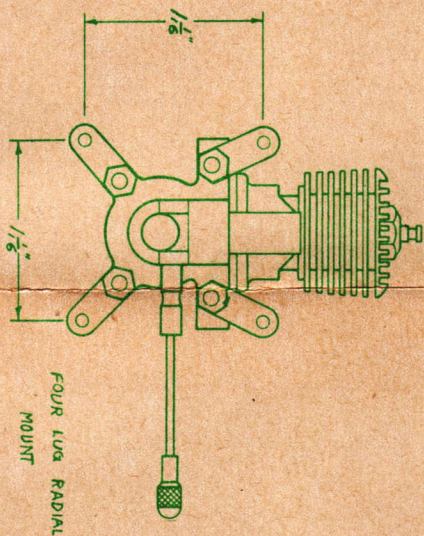
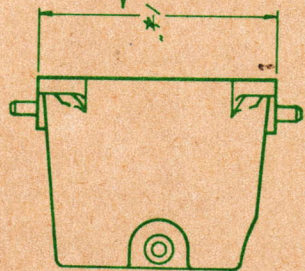


MIDJET  
TANK MAY  
ALSO BE  
USED AS  
RADIAL MOUNT



ENGINE INSTALLATION LAYOUT

O4R O49 MITE FULL SIZE

CHEMINOL CORPORATION

9307 E. BERMUDEZ ST.

RIVERA CALIF.

