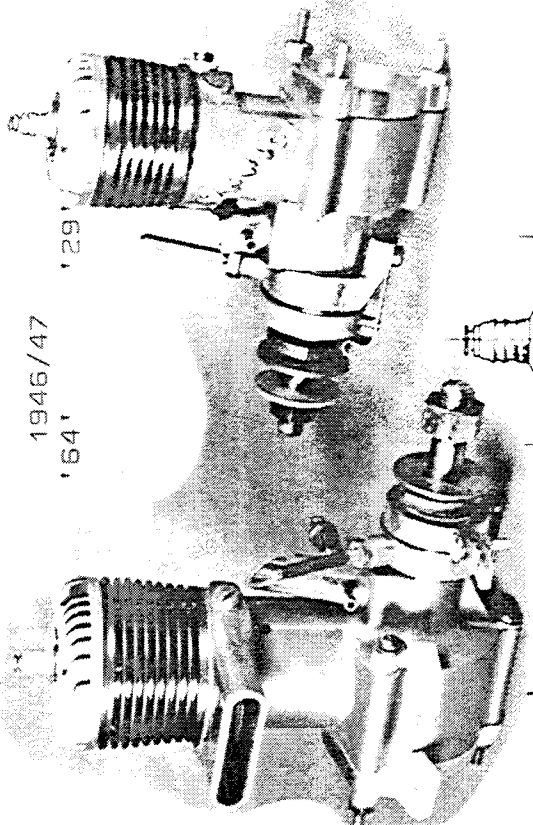


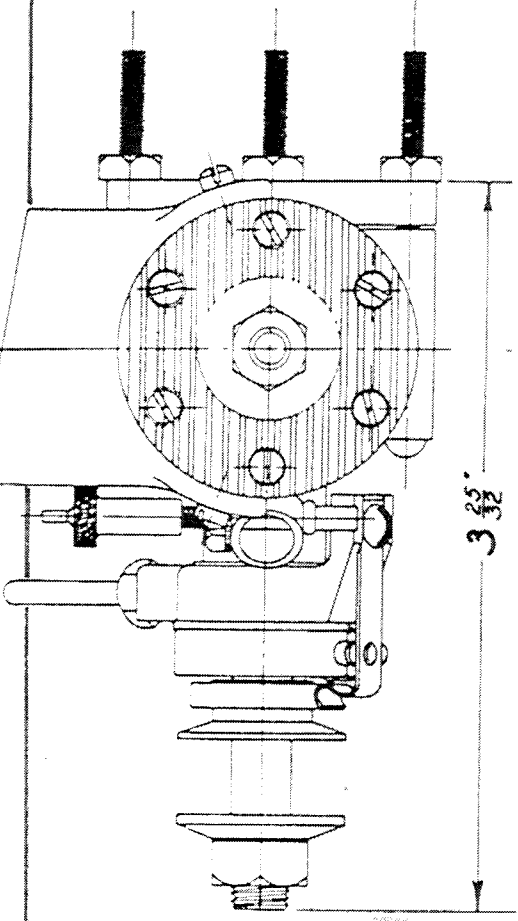
1946/47
'64'



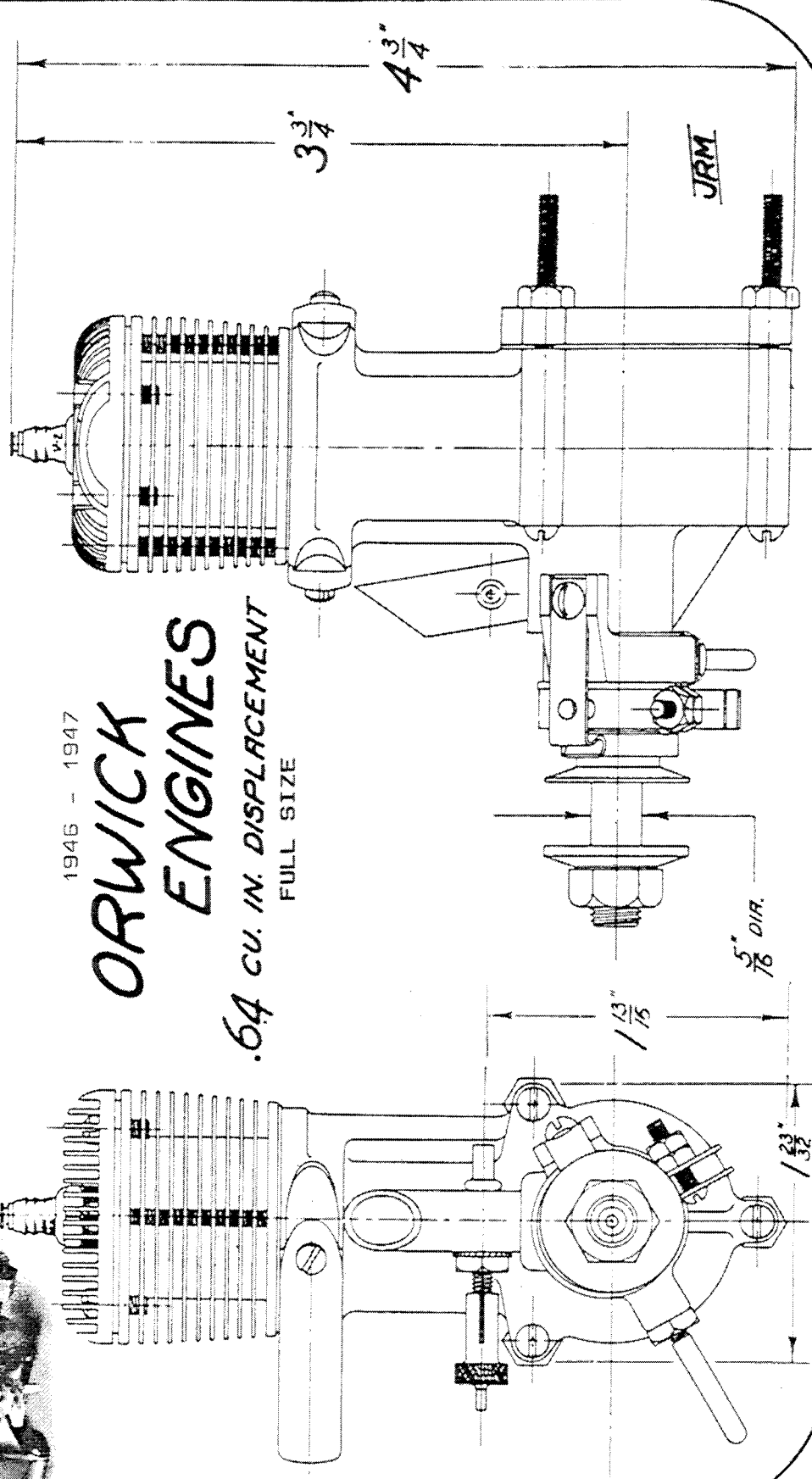
1946 - 1947

ORWICK ENGINES

.64 CU. IN. DISPLACEMENT
FULL SIZE



3 25/32"



3 3/4"

4 3/4"

JRM

5/16" DIA.

13/16"

23/32"